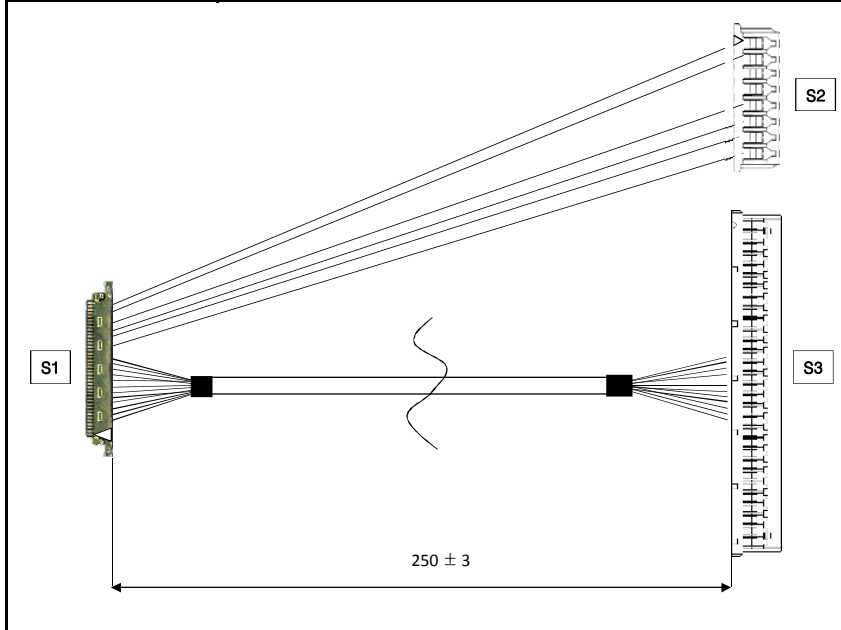
	TITLE	IFC-19201200B1-250		
	PART, NO	188-02509		
	Ver.	1		
	DIMENSION	mm	REQUEST	1512162
Name	Rybalko	CHECKED	APPROVED	
Date	16.12.2015			



S1		Cable	S2	S3
1	GND	nc		
2	nc	nc		
3	VCC 3,3V	AWG28		30
4	VCC 3,3V	AWG28		29
5	GND	AWG28		25
6	GND	AWG28		24
7	nc	nc		
8	nc	nc		
9	GND	AWG28		23
10	RXO0-	AWG28		22
11	RXO0+	AWG28		21
12	RXO1-	AWG28		20
13	RXO1+	AWG28		19
14	RXO2-	AWG28		18
15	RXO2+	AWG28		17
16	RXOC-	AWG28		16
17	RXOC+	AWG28		15
18	RXO3-	AWG28		14
19	RXO3+	AWG28		13
20	RXE0-	AWG28		11
21	RXE0+	AWG28		10
22	RXE1-	AWG28		9
23	RXE1+	AWG28		8
24	RXE2-	AWG28		7
25	RXE2+	AWG28		6
26	CLKE-	AWG28		5
27	CLKE+	AWG28		4
28	RXE3-	AWG28		3
29	RXE3+	AWG28		2
30	GND	AWG28		12
31	GND	AWG28		1
32	LED_VCC 12V	AWG28	1	
33	LED_VCC 12V	AWG28	2	
34	LED_VCC 12V	nc		
35	LED_VCC 12V	nc		
36	LED_EN 3,3V	AWG28	5	
37	LED_PWM	AWG28	6	
38	GND	nc		
39	GND	AWG28	7	
40	GND	AWG28	8	

Description	
S1	IPEX-20453-040T-11 or equ.
S2	51021-0800 (Molex) or equ.
S3	DF14-30S-1.25C (Hirose) or equ.
J	twisted pairs