



Preliminary Specification

Final Specification

Module	32.0" Color TFT-LCD
Model Name	M320QAN01.0

Customer	Date
_____	_____
Approved by	
_____	_____
<p>Note: This Specification is subject to change without notice.</p>	

Approved by	Date
<u>Howard Lee</u>	<u>Dec 2, 2013</u>
Prepared by	Date
<u>Shihhao Wang</u>	<u>Dec 2, 2013</u>
<p>AU Optronics corporation</p>	

Contents

1 Handling Precautions	5
2 General Description	6
2.1 Display Characteristics	6
2.2 Absolute Maximum Rating of Environment.....	7
2.3 Optical Characteristics.....	8
3 TFT-LCD Module	15
3.1 Block Diagram.....	15
3.2 Interface Connection.....	16
3.2.1 Connector Type	16
3.2.2 Connector Pin Assignment.....	16
3.3 Electrical Characteristics.....	19
3.3.1 Absolute Maximum Rating.....	19
3.3.2 Recommended Operating Condition.....	19
3.4 Signal Characteristics	20
3.4.1 LCD Pixel Format	20
3.4.2 eDP Data Format	21
3.4.3 Color versus Input Data	22
3.4.4 eDP Specification (Follow as VESA DisplayPort Standard Version 1.2)	23
3.4.5 Input Timing Specification	23
3.5 Power ON/OFF Sequence	24
4 Backlight Unit	26
4.1 Block Diagram.....	26
4.2 Interface Connection.....	27
4.2.1 Connector Type	27
4.3 Electrical Characteristics.....	29
4.3.1 Absolute Maximum Rating.....	30
4.3.2 Recommended Operating Condition.....	30
5 Reliability Test	31
6 Shipping Label	32
7 Mechanical Characteristics	34
8 Packing Specification	35
8.1 Packing Flow	35
8.2 Pallet and shipment information	36

Record of Revision

Version	Date	Page	Old description	New Description	Remark																																																																																																																																																																		
0.1	2013/8/16	All	First version release	-																																																																																																																																																																			
0.2	2013/11/26	P6	TBD (Typ.) LCD module: PDD (Typ.)=TBD @ white pattern, 60Hz, 12V Backlight unit : PBLU (Typ.) =38.9 @Is=130mA	52W (Typ.) LCD module: PDD(Typ.)=10.8W @white pattern,60Hz, 12V Backlight unit : PBLU (Typ.) =41.2 W@Is=120mA																																																																																																																																																																			
		P6	TBD	Update weight of panel																																																																																																																																																																			
		P8	Color Coordinates <table border="1"> <thead> <tr> <th>Color Coordinates (CIE 1931)</th> <th>Red x</th> <th>Red y</th> <th>Green x</th> <th>Green y</th> <th>Blue x</th> <th>Blue y</th> <th>White x</th> <th>White y</th> </tr> </thead> <tbody> <tr> <td></td> <td>0.624</td> <td>0.654</td> <td>0.684</td> <td></td> <td></td> <td></td> <td></td> <td></td> </tr> <tr> <td></td> <td>0.303</td> <td>0.333</td> <td>0.363</td> <td></td> <td></td> <td></td> <td></td> <td></td> </tr> <tr> <td></td> <td>0.275</td> <td>0.305</td> <td>0.335</td> <td></td> <td></td> <td></td> <td></td> <td></td> </tr> <tr> <td></td> <td>0.596</td> <td>0.626</td> <td>0.656</td> <td></td> <td></td> <td></td> <td></td> <td></td> </tr> <tr> <td></td> <td>0.116</td> <td>0.146</td> <td>0.176</td> <td></td> <td></td> <td></td> <td></td> <td></td> </tr> <tr> <td></td> <td>0.017</td> <td>0.047</td> <td>0.077</td> <td></td> <td></td> <td></td> <td></td> <td></td> </tr> <tr> <td></td> <td>0.283</td> <td>0.313</td> <td>0.343</td> <td></td> <td></td> <td></td> <td></td> <td></td> </tr> <tr> <td></td> <td>0.299</td> <td>0.329</td> <td>0.359</td> <td></td> <td></td> <td></td> <td></td> <td></td> </tr> </tbody> </table>	Color Coordinates (CIE 1931)	Red x	Red y	Green x	Green y	Blue x	Blue y	White x	White y		0.624	0.654	0.684							0.303	0.333	0.363							0.275	0.305	0.335							0.596	0.626	0.656							0.116	0.146	0.176							0.017	0.047	0.077							0.283	0.313	0.343							0.299	0.329	0.359						Revise <table border="1"> <thead> <tr> <th>Color Coordinates (CIE 1931)</th> <th>Red x</th> <th>Red y</th> <th>Green x</th> <th>Green y</th> <th>Blue x</th> <th>Blue y</th> <th>White x</th> <th>White y</th> </tr> </thead> <tbody> <tr> <td></td> <td>0.628</td> <td>0.658</td> <td>0.688</td> <td></td> <td></td> <td></td> <td></td> <td></td> </tr> <tr> <td></td> <td>0.302</td> <td>0.332</td> <td>0.362</td> <td></td> <td></td> <td></td> <td></td> <td></td> </tr> <tr> <td></td> <td>0.272</td> <td>0.302</td> <td>0.332</td> <td></td> <td></td> <td></td> <td></td> <td></td> </tr> <tr> <td></td> <td>0.594</td> <td>0.624</td> <td>0.654</td> <td></td> <td></td> <td></td> <td></td> <td></td> </tr> <tr> <td></td> <td>0.117</td> <td>0.147</td> <td>0.177</td> <td></td> <td></td> <td></td> <td></td> <td></td> </tr> <tr> <td></td> <td>0.023</td> <td>0.056</td> <td>0.086</td> <td></td> <td></td> <td></td> <td></td> <td></td> </tr> <tr> <td></td> <td>0.283</td> <td>0.313</td> <td>0.343</td> <td></td> <td></td> <td></td> <td></td> <td></td> </tr> <tr> <td></td> <td>0.299</td> <td>0.329</td> <td>0.359</td> <td></td> <td></td> <td></td> <td></td> <td></td> </tr> </tbody> </table>	Color Coordinates (CIE 1931)	Red x	Red y	Green x	Green y	Blue x	Blue y	White x	White y		0.628	0.658	0.688							0.302	0.332	0.362							0.272	0.302	0.332							0.594	0.624	0.654							0.117	0.147	0.177							0.023	0.056	0.086							0.283	0.313	0.343							0.299	0.329	0.359						
Color Coordinates (CIE 1931)	Red x	Red y	Green x	Green y	Blue x	Blue y	White x	White y																																																																																																																																																															
	0.624	0.654	0.684																																																																																																																																																																				
	0.303	0.333	0.363																																																																																																																																																																				
	0.275	0.305	0.335																																																																																																																																																																				
	0.596	0.626	0.656																																																																																																																																																																				
	0.116	0.146	0.176																																																																																																																																																																				
	0.017	0.047	0.077																																																																																																																																																																				
	0.283	0.313	0.343																																																																																																																																																																				
	0.299	0.329	0.359																																																																																																																																																																				
Color Coordinates (CIE 1931)	Red x	Red y	Green x	Green y	Blue x	Blue y	White x	White y																																																																																																																																																															
	0.628	0.658	0.688																																																																																																																																																																				
	0.302	0.332	0.362																																																																																																																																																																				
	0.272	0.302	0.332																																																																																																																																																																				
	0.594	0.624	0.654																																																																																																																																																																				
	0.117	0.147	0.177																																																																																																																																																																				
	0.023	0.056	0.086																																																																																																																																																																				
	0.283	0.313	0.343																																																																																																																																																																				
	0.299	0.329	0.359																																																																																																																																																																				
		P14	Connector Type <table border="1"> <thead> <tr> <th>Manufacturer</th> <th>P-TWO</th> <th>JAE</th> <th>CHIEFLAND</th> </tr> </thead> <tbody> <tr> <td>Part Number</td> <td>187060-4122</td> <td>FLRE41SHP</td> <td>107C414000RAG4</td> </tr> <tr> <td>Manufacturer</td> <td colspan="3">JAE</td> </tr> <tr> <td>Part Number</td> <td colspan="3">FLRE41SHP</td> </tr> </tbody> </table>	Manufacturer	P-TWO	JAE	CHIEFLAND	Part Number	187060-4122	FLRE41SHP	107C414000RAG4	Manufacturer	JAE			Part Number	FLRE41SHP			Revise <table border="1"> <thead> <tr> <th>Manufacturer</th> <th>P-TWO</th> <th>JAE</th> </tr> </thead> <tbody> <tr> <td>Part Number</td> <td>187060-4122</td> <td>FLRE41SHP</td> </tr> <tr> <td>Manufacturer</td> <td colspan="2">JAE or compatible</td> </tr> <tr> <td>Part Number</td> <td colspan="2">FLRE41CL</td> </tr> </tbody> </table>	Manufacturer	P-TWO	JAE	Part Number	187060-4122	FLRE41SHP	Manufacturer	JAE or compatible		Part Number	FLRE41CL																																																																																																																																								
Manufacturer	P-TWO	JAE	CHIEFLAND																																																																																																																																																																				
Part Number	187060-4122	FLRE41SHP	107C414000RAG4																																																																																																																																																																				
Manufacturer	JAE																																																																																																																																																																						
Part Number	FLRE41SHP																																																																																																																																																																						
Manufacturer	P-TWO	JAE																																																																																																																																																																					
Part Number	187060-4122	FLRE41SHP																																																																																																																																																																					
Manufacturer	JAE or compatible																																																																																																																																																																						
Part Number	FLRE41CL																																																																																																																																																																						
		P17	3.3.2 Recommended Operating Condition <table border="1"> <thead> <tr> <th>Symbol</th> <th>Description</th> <th>Min</th> <th>Typ</th> <th>Max</th> <th>Unit</th> <th>Remark</th> </tr> </thead> <tbody> <tr> <td>VDD</td> <td>Power supply input voltage</td> <td>10.8</td> <td>12.0</td> <td>13.2</td> <td>[Vdc]</td> <td></td> </tr> <tr> <td>IDD</td> <td>Power supply Input Current (RMS)</td> <td>TBD</td> <td>TBD</td> <td>[A]</td> <td>VDD 12.0V, White pattern, F=60Hz</td> <td></td> </tr> <tr> <td>FDD</td> <td>VDD Power Consumption</td> <td>TBD</td> <td>TBD</td> <td>[Watt]</td> <td>VDD 12.0V, White pattern, F=60Hz</td> <td></td> </tr> <tr> <td>Irush</td> <td>Inrush Current</td> <td>TBD</td> <td>TBD</td> <td>[A]</td> <td>Note 3.1</td> <td></td> </tr> <tr> <td>VDDrip</td> <td>Allowable VDD Ripple Voltage</td> <td>TBD</td> <td>VDD15%</td> <td>[mV]</td> <td>VDD=12.0V, White pattern, F=60Hz</td> <td></td> </tr> </tbody> </table>	Symbol	Description	Min	Typ	Max	Unit	Remark	VDD	Power supply input voltage	10.8	12.0	13.2	[Vdc]		IDD	Power supply Input Current (RMS)	TBD	TBD	[A]	VDD 12.0V, White pattern, F=60Hz		FDD	VDD Power Consumption	TBD	TBD	[Watt]	VDD 12.0V, White pattern, F=60Hz		Irush	Inrush Current	TBD	TBD	[A]	Note 3.1		VDDrip	Allowable VDD Ripple Voltage	TBD	VDD15%	[mV]	VDD=12.0V, White pattern, F=60Hz		Revise <table border="1"> <thead> <tr> <th>Symbol</th> <th>Description</th> <th>Min</th> <th>Typ</th> <th>Max</th> <th>Unit</th> <th>Remark</th> </tr> </thead> <tbody> <tr> <td>VDD</td> <td>Power supply input voltage</td> <td>10.8</td> <td>12.0</td> <td>13.2</td> <td>[Vdc]</td> <td></td> </tr> <tr> <td>IDD</td> <td>Power supply Input Current (RMS)</td> <td>0.9</td> <td>1.1</td> <td>[A]</td> <td>VDD=12.0V, White pattern, F=60Hz</td> <td></td> </tr> <tr> <td>FDD</td> <td>VDD Power Consumption</td> <td>10.8</td> <td>13.2</td> <td>[Watt]</td> <td>VDD=12.0V, White pattern, F=60Hz</td> <td></td> </tr> <tr> <td>Irush</td> <td>Inrush Current</td> <td>3</td> <td>[A]</td> <td>Note 3.2</td> <td></td> <td></td> </tr> <tr> <td>VDDrip</td> <td>Allowable VDD Ripple Voltage</td> <td>TBD</td> <td>VDD15%</td> <td>[mV]</td> <td>VDD=12.0V, White pattern, F=60Hz</td> <td></td> </tr> </tbody> </table>	Symbol	Description	Min	Typ	Max	Unit	Remark	VDD	Power supply input voltage	10.8	12.0	13.2	[Vdc]		IDD	Power supply Input Current (RMS)	0.9	1.1	[A]	VDD=12.0V, White pattern, F=60Hz		FDD	VDD Power Consumption	10.8	13.2	[Watt]	VDD=12.0V, White pattern, F=60Hz		Irush	Inrush Current	3	[A]	Note 3.2			VDDrip	Allowable VDD Ripple Voltage	TBD	VDD15%	[mV]	VDD=12.0V, White pattern, F=60Hz																																																																																
Symbol	Description	Min	Typ	Max	Unit	Remark																																																																																																																																																																	
VDD	Power supply input voltage	10.8	12.0	13.2	[Vdc]																																																																																																																																																																		
IDD	Power supply Input Current (RMS)	TBD	TBD	[A]	VDD 12.0V, White pattern, F=60Hz																																																																																																																																																																		
FDD	VDD Power Consumption	TBD	TBD	[Watt]	VDD 12.0V, White pattern, F=60Hz																																																																																																																																																																		
Irush	Inrush Current	TBD	TBD	[A]	Note 3.1																																																																																																																																																																		
VDDrip	Allowable VDD Ripple Voltage	TBD	VDD15%	[mV]	VDD=12.0V, White pattern, F=60Hz																																																																																																																																																																		
Symbol	Description	Min	Typ	Max	Unit	Remark																																																																																																																																																																	
VDD	Power supply input voltage	10.8	12.0	13.2	[Vdc]																																																																																																																																																																		
IDD	Power supply Input Current (RMS)	0.9	1.1	[A]	VDD=12.0V, White pattern, F=60Hz																																																																																																																																																																		
FDD	VDD Power Consumption	10.8	13.2	[Watt]	VDD=12.0V, White pattern, F=60Hz																																																																																																																																																																		
Irush	Inrush Current	3	[A]	Note 3.2																																																																																																																																																																			
VDDrip	Allowable VDD Ripple Voltage	TBD	VDD15%	[mV]	VDD=12.0V, White pattern, F=60Hz																																																																																																																																																																		
		P22	3.4.5 Input Timing Specification <table border="1"> <thead> <tr> <th>Symbol</th> <th>Description</th> <th>Min</th> <th>Typ</th> <th>Max</th> <th>Unit</th> <th>Remark</th> </tr> </thead> <tbody> <tr> <td>Tv</td> <td>Vertical Section</td> <td>Period</td> <td>2350</td> <td></td> <td>Th</td> <td></td> </tr> <tr> <td>Tdrip (v)</td> <td>Active</td> <td></td> <td>2160</td> <td></td> <td>Th</td> <td></td> </tr> <tr> <td>Tblk (v)</td> <td>Blanking</td> <td></td> <td>90</td> <td></td> <td>Th</td> <td></td> </tr> <tr> <td>Fv</td> <td>Frequency</td> <td></td> <td>60</td> <td></td> <td>Hz</td> <td></td> </tr> <tr> <td>Th</td> <td>Horizontal Section</td> <td>Period</td> <td>2080</td> <td></td> <td>Tclk</td> <td></td> </tr> <tr> <td>Tdrip (h)</td> <td>Active</td> <td></td> <td>1920</td> <td></td> <td>Tclk</td> <td></td> </tr> <tr> <td>Tblk (h)</td> <td>Blanking</td> <td></td> <td>160</td> <td></td> <td>Tclk</td> <td></td> </tr> <tr> <td>Fh</td> <td>Frequency</td> <td></td> <td>155</td> <td></td> <td>kHz</td> <td></td> </tr> <tr> <td>Fclk</td> <td>Clock per Line</td> <td></td> <td>2.7</td> <td></td> <td>GHz</td> <td></td> </tr> </tbody> </table>	Symbol	Description	Min	Typ	Max	Unit	Remark	Tv	Vertical Section	Period	2350		Th		Tdrip (v)	Active		2160		Th		Tblk (v)	Blanking		90		Th		Fv	Frequency		60		Hz		Th	Horizontal Section	Period	2080		Tclk		Tdrip (h)	Active		1920		Tclk		Tblk (h)	Blanking		160		Tclk		Fh	Frequency		155		kHz		Fclk	Clock per Line		2.7		GHz		Revise <table border="1"> <thead> <tr> <th>Symbol</th> <th>Description</th> <th>Min</th> <th>Typ</th> <th>Max</th> <th>Unit</th> <th>Remark</th> </tr> </thead> <tbody> <tr> <td>Tv</td> <td>Vertical Section</td> <td>Period</td> <td>2160</td> <td>2200</td> <td>2372</td> <td>Th</td> </tr> <tr> <td>Tdrip (v)</td> <td>Active</td> <td></td> <td>2160</td> <td>2160</td> <td>Th</td> <td></td> </tr> <tr> <td>Tblk (v)</td> <td>Blanking</td> <td>30</td> <td>40</td> <td>213</td> <td>Th</td> <td></td> </tr> <tr> <td>Fv</td> <td>Frequency</td> <td>59</td> <td>60</td> <td>61</td> <td>Hz</td> <td></td> </tr> <tr> <td>Th</td> <td>Horizontal Section</td> <td>Period</td> <td>2000</td> <td>2100</td> <td>2176</td> <td>Tclk</td> </tr> <tr> <td>Tdrip (h)</td> <td>Active</td> <td></td> <td>1920</td> <td>1920</td> <td>Tclk</td> <td></td> </tr> <tr> <td>Tblk (h)</td> <td>Blanking</td> <td>80</td> <td>180</td> <td>236</td> <td>Tclk</td> <td></td> </tr> <tr> <td>Tclk</td> <td>Pixel Clock</td> <td>Period</td> <td>3.69</td> <td>3.61</td> <td>3.57</td> <td>ns</td> </tr> <tr> <td>Fclk</td> <td>Frequency</td> <td>257.24</td> <td>277.29</td> <td>280.00</td> <td>MHz</td> <td>Note 3.4</td> </tr> <tr> <td>Link Rate per Lane</td> <td></td> <td></td> <td>2.7</td> <td></td> <td>Gbps</td> <td></td> </tr> </tbody> </table>	Symbol	Description	Min	Typ	Max	Unit	Remark	Tv	Vertical Section	Period	2160	2200	2372	Th	Tdrip (v)	Active		2160	2160	Th		Tblk (v)	Blanking	30	40	213	Th		Fv	Frequency	59	60	61	Hz		Th	Horizontal Section	Period	2000	2100	2176	Tclk	Tdrip (h)	Active		1920	1920	Tclk		Tblk (h)	Blanking	80	180	236	Tclk		Tclk	Pixel Clock	Period	3.69	3.61	3.57	ns	Fclk	Frequency	257.24	277.29	280.00	MHz	Note 3.4	Link Rate per Lane			2.7		Gbps																	
Symbol	Description	Min	Typ	Max	Unit	Remark																																																																																																																																																																	
Tv	Vertical Section	Period	2350		Th																																																																																																																																																																		
Tdrip (v)	Active		2160		Th																																																																																																																																																																		
Tblk (v)	Blanking		90		Th																																																																																																																																																																		
Fv	Frequency		60		Hz																																																																																																																																																																		
Th	Horizontal Section	Period	2080		Tclk																																																																																																																																																																		
Tdrip (h)	Active		1920		Tclk																																																																																																																																																																		
Tblk (h)	Blanking		160		Tclk																																																																																																																																																																		
Fh	Frequency		155		kHz																																																																																																																																																																		
Fclk	Clock per Line		2.7		GHz																																																																																																																																																																		
Symbol	Description	Min	Typ	Max	Unit	Remark																																																																																																																																																																	
Tv	Vertical Section	Period	2160	2200	2372	Th																																																																																																																																																																	
Tdrip (v)	Active		2160	2160	Th																																																																																																																																																																		
Tblk (v)	Blanking	30	40	213	Th																																																																																																																																																																		
Fv	Frequency	59	60	61	Hz																																																																																																																																																																		
Th	Horizontal Section	Period	2000	2100	2176	Tclk																																																																																																																																																																	
Tdrip (h)	Active		1920	1920	Tclk																																																																																																																																																																		
Tblk (h)	Blanking	80	180	236	Tclk																																																																																																																																																																		
Tclk	Pixel Clock	Period	3.69	3.61	3.57	ns																																																																																																																																																																	
Fclk	Frequency	257.24	277.29	280.00	MHz	Note 3.4																																																																																																																																																																	
Link Rate per Lane			2.7		Gbps																																																																																																																																																																		
		P23	3.5 Power ON/OFF Sequence 	Revise 	Revise																																																																																																																																																																		

			Value					Remark																																																																																												
			Symbol	Min.	Typ.	Max.	Unit																																																																																													
			T1	0.5		10	[ms]																																																																																													
			T2	TBD		TBD	[ms]																																																																																													
			T3	TBD			[ms]																																																																																													
			T4	100			[ms]																																																																																													
			T5	0		50	[ms]	Note 3-4 Note 3-5																																																																																												
			T6	0		150	[ms]	Note 3-5																																																																																												
			T7	1000			[ms]																																																																																													
		P24	Each LED light bar includes 44 pcs LED package. (4 strings and 11 pcs LED of one string).						Each LED light bar includes 52 pcs LED package. (4 strings and 13 pcs LED of one string).																																																																																											
		P28	4.3.2 Recommended Operating condition <table border="1"> <thead> <tr> <th>Symbol</th> <th>Description</th> <th>Min.</th> <th>Typ.</th> <th>Max.</th> <th>Unit</th> <th>Remark</th> </tr> </thead> <tbody> <tr> <td>I_a</td> <td>LED String Current</td> <td></td> <td>130</td> <td>143</td> <td>[mA]</td> <td>100% duty ratio of LED chip</td> </tr> <tr> <td>V_o</td> <td>LED String Voltage</td> <td>33</td> <td>37.4</td> <td>39.6</td> <td>[Volt]</td> <td>I_a=130mA @ 100% duty ratio; Note 4-1 & Note 4-5</td> </tr> <tr> <td>ΔV_o</td> <td>Maximum Vs Voltage Deviation of light bar</td> <td></td> <td>2.2</td> <td></td> <td>[Volt]</td> <td>I_a=130mA @ 100% duty ratio; Note 4-2</td> </tr> <tr> <td>P_{LED}</td> <td>LED Light Bar Power Consumption</td> <td></td> <td>38.9</td> <td>41.18</td> <td>[Watt]</td> <td>Note 4-3</td> </tr> <tr> <td>LT_{LED}</td> <td>LED Life Time</td> <td>30000</td> <td></td> <td></td> <td>[Hour]</td> <td>Note 4-4</td> </tr> </tbody> </table>					Symbol	Description	Min.	Typ.	Max.	Unit	Remark	I _a	LED String Current		130	143	[mA]	100% duty ratio of LED chip	V _o	LED String Voltage	33	37.4	39.6	[Volt]	I _a =130mA @ 100% duty ratio; Note 4-1 & Note 4-5	ΔV _o	Maximum Vs Voltage Deviation of light bar		2.2		[Volt]	I _a =130mA @ 100% duty ratio; Note 4-2	P _{LED}	LED Light Bar Power Consumption		38.9	41.18	[Watt]	Note 4-3	LT _{LED}	LED Life Time	30000			[Hour]	Note 4-4	Revise <table border="1"> <thead> <tr> <th>Symbol</th> <th>Description</th> <th>Min.</th> <th>Typ.</th> <th>Max.</th> <th>Unit</th> <th>Remark</th> </tr> </thead> <tbody> <tr> <td>I_a</td> <td>LED String Current</td> <td></td> <td>120</td> <td>122</td> <td>[mA]</td> <td>100% duty ratio of LED chip</td> </tr> <tr> <td>V_o</td> <td>LED String Voltage</td> <td>33</td> <td>42.9</td> <td>46.0</td> <td>[Volt]</td> <td>I_a=120mA @ 100% duty ratio; Note 4-1 & Note 4-5</td> </tr> <tr> <td>ΔV_o</td> <td>Maximum Vs Voltage Deviation of light bar</td> <td></td> <td>2.6</td> <td></td> <td>[Volt]</td> <td>I_a=120mA @ 100% duty ratio; Note 4-2</td> </tr> <tr> <td>P_{LED}</td> <td>LED Light Bar Power Consumption</td> <td></td> <td>41.3</td> <td>44.9</td> <td>[Watt]</td> <td>Note 4-3</td> </tr> <tr> <td>LT_{LED}</td> <td>LED Life Time</td> <td>30000</td> <td></td> <td></td> <td>[Hour]</td> <td>Note 4-4</td> </tr> <tr> <td>OVP</td> <td>Over Voltage Protection in Instant board</td> <td>110% VLED max</td> <td></td> <td></td> <td>[Volt]</td> <td>Note 4-5</td> </tr> </tbody> </table>	Symbol	Description	Min.	Typ.	Max.	Unit	Remark	I _a	LED String Current		120	122	[mA]	100% duty ratio of LED chip	V _o	LED String Voltage	33	42.9	46.0	[Volt]	I _a =120mA @ 100% duty ratio; Note 4-1 & Note 4-5	ΔV _o	Maximum Vs Voltage Deviation of light bar		2.6		[Volt]	I _a =120mA @ 100% duty ratio; Note 4-2	P _{LED}	LED Light Bar Power Consumption		41.3	44.9	[Watt]	Note 4-3	LT _{LED}	LED Life Time	30000			[Hour]	Note 4-4	OVP	Over Voltage Protection in Instant board	110% VLED max			[Volt]	Note 4-5	
Symbol	Description	Min.	Typ.	Max.	Unit	Remark																																																																																														
I _a	LED String Current		130	143	[mA]	100% duty ratio of LED chip																																																																																														
V _o	LED String Voltage	33	37.4	39.6	[Volt]	I _a =130mA @ 100% duty ratio; Note 4-1 & Note 4-5																																																																																														
ΔV _o	Maximum Vs Voltage Deviation of light bar		2.2		[Volt]	I _a =130mA @ 100% duty ratio; Note 4-2																																																																																														
P _{LED}	LED Light Bar Power Consumption		38.9	41.18	[Watt]	Note 4-3																																																																																														
LT _{LED}	LED Life Time	30000			[Hour]	Note 4-4																																																																																														
Symbol	Description	Min.	Typ.	Max.	Unit	Remark																																																																																														
I _a	LED String Current		120	122	[mA]	100% duty ratio of LED chip																																																																																														
V _o	LED String Voltage	33	42.9	46.0	[Volt]	I _a =120mA @ 100% duty ratio; Note 4-1 & Note 4-5																																																																																														
ΔV _o	Maximum Vs Voltage Deviation of light bar		2.6		[Volt]	I _a =120mA @ 100% duty ratio; Note 4-2																																																																																														
P _{LED}	LED Light Bar Power Consumption		41.3	44.9	[Watt]	Note 4-3																																																																																														
LT _{LED}	LED Life Time	30000			[Hour]	Note 4-4																																																																																														
OVP	Over Voltage Protection in Instant board	110% VLED max			[Volt]	Note 4-5																																																																																														
		P30	Vibration Test condition <table border="1"> <tbody> <tr> <td>Vibration Test (Non-operation)</td> <td> Acceleration : 1.75 Grms Wave form : Random Bandwidth : 5 Level Frequency : 10~300Hz PSD (g/Hz) : 0.0075 Duration : 30 Minutes each Axis (X, Y, Z) X : Horizontal, face up Y : Horizontal, face up Z : Horizontal, face up </td> </tr> </tbody> </table>					Vibration Test (Non-operation)	Acceleration : 1.75 Grms Wave form : Random Bandwidth : 5 Level Frequency : 10~300Hz PSD (g/Hz) : 0.0075 Duration : 30 Minutes each Axis (X, Y, Z) X : Horizontal, face up Y : Horizontal, face up Z : Horizontal, face up	Revise <table border="1"> <tbody> <tr> <td>Vibration Test (Non-operation)</td> <td> Frequency : 0~57Hz Vibration width (one side) : 0.075mm : 15~50Hz Acceleration : 9.8 m/s² Sweep time : 11 minutes Test period : 3 hours (1h for each direction of X, Y, Z) </td> </tr> </tbody> </table>	Vibration Test (Non-operation)	Frequency : 0~57Hz Vibration width (one side) : 0.075mm : 15~50Hz Acceleration : 9.8 m/s ² Sweep time : 11 minutes Test period : 3 hours (1h for each direction of X, Y, Z)																																																																																								
Vibration Test (Non-operation)	Acceleration : 1.75 Grms Wave form : Random Bandwidth : 5 Level Frequency : 10~300Hz PSD (g/Hz) : 0.0075 Duration : 30 Minutes each Axis (X, Y, Z) X : Horizontal, face up Y : Horizontal, face up Z : Horizontal, face up																																																																																																			
Vibration Test (Non-operation)	Frequency : 0~57Hz Vibration width (one side) : 0.075mm : 15~50Hz Acceleration : 9.8 m/s ² Sweep time : 11 minutes Test period : 3 hours (1h for each direction of X, Y, Z)																																																																																																			
		P30	Drop Test condition <table border="1"> <tbody> <tr> <td>Drop Test</td> <td>Height : 30.5 cm, package test</td> </tr> </tbody> </table>					Drop Test	Height : 30.5 cm, package test	Remove																																																																																										
Drop Test	Height : 30.5 cm, package test																																																																																																			

1 Handling Precautions

- 1) Since front polarizer is easily damaged, pay attention not to scratch it.
- 2) Be sure to turn off power supply when inserting or disconnecting from input connector.
- 3) Wipe off water drop immediately. Long contact with water may cause discoloration or spots.
- 4) When the panel surface is soiled, wipe it with absorbent cotton or other soft cloth.
- 5) Since the panel is made of glass, it may break or crack if dropped or bumped on hard surface.
- 6) Since CMOS LSI is used in this module, take care of static electricity and insure human earth when handling.
- 7) Do not open or modify the Module Assembly.
- 8) Do not press the reflector sheet at the back of the module to any directions.
- 9) In case a TFT-LCD Module has to be put back into the packing container slot after once it was taken out from the container, do not press the center of the LED lightbar edge. Otherwise the TFT-LCD Module may be damaged.
- 10) Insert or pull out the interface connector, be sure not to rotate nor tilt it of the TFT-LCD Module.
- 11) Do not twist nor bend the TFT -LCD Module even momentary. It should be taken into consideration that no bending/twisting forces are applied to the TFT-LCD Module from outside. Otherwise the TFT-LCD Module may be damaged.
- 12) Please avoid touching COF position while you are doing mechanical design.
- 13) When storing modules as spares for a long time, the following precaution is necessary: Store them in a dark place. Do not expose the module to sunlight or fluorescent light. Keep the temperature between 5 and 35 at normal humidity.

2 General Description

This specification applies to the 32.0 inch wide Color a-Si TFT-LCD Module M320QAN01.0. The display supports the UHD - 3840(H) x 2160(V) screen format and 1.07B colors (10bits data input). The input interface is 8-lanes eDP and this module doesn't contain an driver board for backlight.

2.1 Display Characteristics

The following items are characteristics summary on the table under 25 °C condition:

ITEMS	Unit	SPECIFICATIONS
Screen Diagonal	[mm]	812.8 (32.0")
Active Area	[mm]	708.48 (H) x 398.52 (V)
Pixels H x V	-	3840(x3) x 2160
Pixel Pitch	[um]	184.5 (per one triad) x 184.5
Pixel Arrangement	-	R.G.B. Vertical Stripe
Display Mode	-	Normally Black
White Luminance (Center)	[cd/m ²]	350 (Typ.)
Contrast Ratio	-	1000 (Typ.)
Response Time	[msec]	12 (Typ., Gray to Gray)
Power Consumption (LCD Module + Backligh unit)	[Watt]	52W (Typ.) LCD module : PDD(Typ.)=10.8W @white pattern, 60Hz, 12V Backlight unit : PBLU (Typ.) =41.2W @Is=120mA
Weight	[Grams]	5,160
Outline Dimension	[mm]	727.88 (H) x 422.07 (V) x 15.1 (D) Typ.
Electrical Interface	-	8-lanes eDP, 10bits RGB data input
Support Color	-	1.07B colors
Surface Treatment	-	Anti-Glare, 3H
Temperature Range Operating	[°C]	0 to +50
Storage (Shipping)	[°C]	-20 to +60
RoHS Compliance	-	RoHS Compliance
TCO Compliance	-	TCO 6.0 Compliance

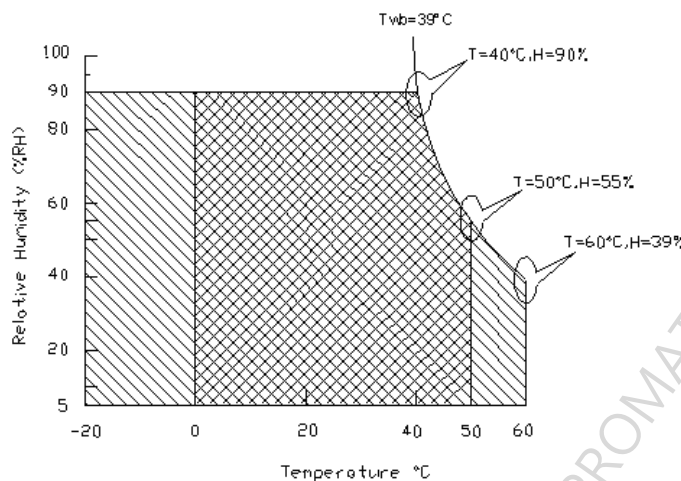
2.2 Absolute Maximum Rating of Environment

Permanent damage may occur if exceeding the following maximum rating.

Symbol	Description	Min.	Max.	Unit	Remark
TOP	Operating Temperature	0	+50	[°C]	Note 2-1
TGS	Glass surface temperature (operation)	0	+65	[°C]	Note 2-1 Function judged only
HOP	Operation Humidity	5	90	[%RH]	Note 2-1
TST	Storage Temperature	-20	+60	[°C]	
HST	Storage Humidity	5	90	[%RH]	

Note 2-1: Temperature and relative humidity range are shown as the below figure.

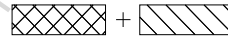
1. 90% RH Max (Ta 39)
2. Max wet-bulb temperature at 39 or less. (Ta 39)
3. No condensation



Operating Range



Storage Range



2.3 Optical Characteristics

The optical characteristics are measured on the following test condition.

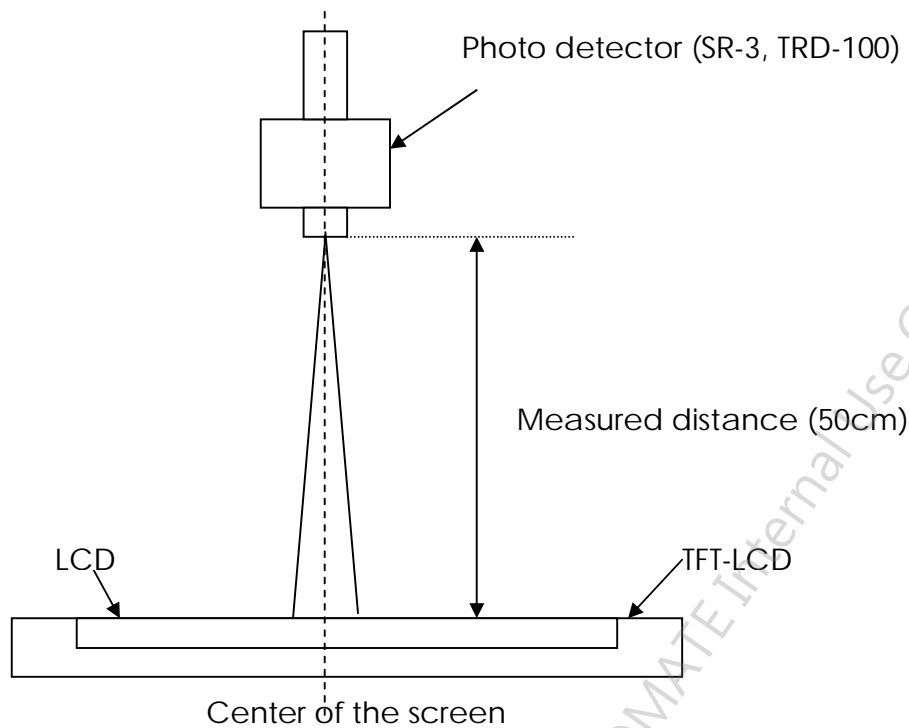
Test Condition:

1. Equipment setup: Please refer to Note 2-2.
2. Panel Lighting time: 30 minutes
3. VDD=12.0V, Fv=60Hz, Is=120mA, Ta=25

Symbol	Description		Min.	Typ.	Max.	Unit	Remark
L _w	White Luminance (Center of screen)		280	350	-	[cd/m ²]	Note 2-2 By SR-3
L _{uni}	Luminance Uniformity (9 points)		75	80	-	[%]	Note 2-3 By SR-3
CR	Contrast Ratio (Center of screen)		600	1000	-	-	Note 2-4 By SR-3
θ _R	Horizontal Viewing Angle (CR=10)	Right	75	89	-	[degree]	Note 2-5 By SR-3
θ _L		Left	75	89	-		
Φ _H	Vertical Viewing Angle (CR=10)	Up	75	89	-		
Φ _L		Down	75	89	-		
T _{GTG}	Response Time	Gray to Gray	-	12	-	[msec]	Note 2-6 By TRD-100
R _x	Color Coordinates (CIE 1931)	Red x	0.62 8	0.65 8	0.68 8	-	By SR-3
R _y		Red y	0.30 2	0.33 2	0.36 2		
G _x		Green x	0.27 2	0.30 2	0.33 2		
G _y		Green y	0.59 4	0.62 4	0.65 4		
B _x		Blue x	0.11 7	0.14 7	0.17 7		
B _y		Blue y	0.02 3	0.05 6	0.08 6		
W _x		White x	0.28 3	0.31 3	0.34 3		
W _y		White y	0.29 9	0.32 9	0.35 9		

CT	Crosstalk	-	-	1.5	[%]	Note 2-7 By SR-3
F _{dB}	Flicker (Center of screen)	-	-	-20	[dB]	Note 2-8 By SR-3

Note 2-2: Equipment setup:

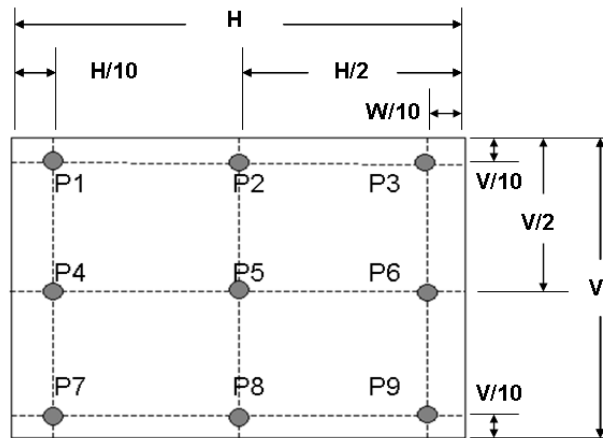


Note 2-3: Luminance Uniformity Measurement

Definition:

$$\text{Luminance Uniformity} = \frac{\text{Minimum Luminance of 9 Points (P1 ~ P9)}}{\text{Maximum Luminance of 9 Points (P1 ~ P9)}}$$

a. Test pattern: White Pattern



Note 2-4: Contrast Ratio Measurement

Definition:

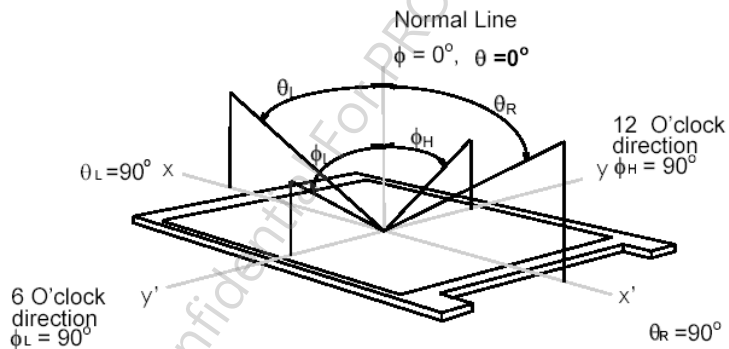
$$\text{Contrast Ratio} = \frac{\text{Luminance of White pattern}}{\text{Luminance of Black pattern}}$$

a. Measured position: Center of screen (P5) & perpendicular to the screen
 ($\theta = \Phi = 0^\circ$)

Note 2-5: Viewing angle measurement

Definition: The angle at which the contrast ratio is greater than 10 & 5 .

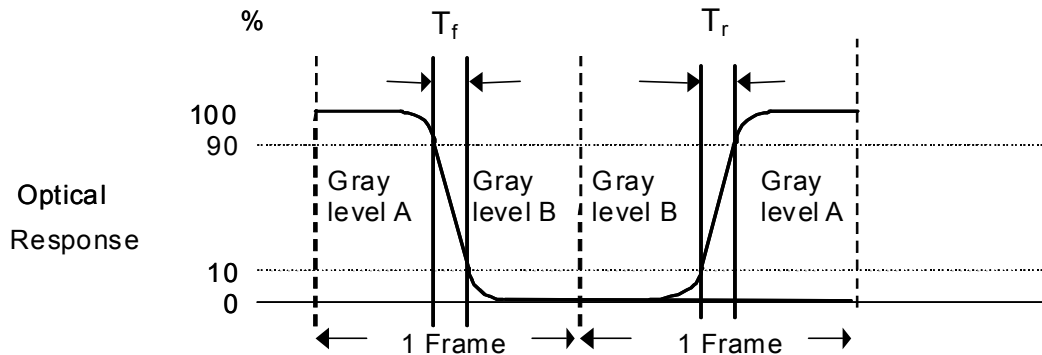
- a. Horizontal view angle: Divide to left & right (θ_L & θ_R)
- Vertical view angle: Divide to up & down (Φ_H & Φ_L)



Note 2-6: Response measurement

time

The output signals of photo detector are measured when the input signals are changed from "Gray level A" to "Gray level B" (falling time, T_f), and from "Gray level B" to "Gray level A" (rising time, T_r), respectively. The response time is interval between the 10% and 90% of optical response.



The gray to gray response time is defined as the following table.

Gray Level to Gray Level		Target gray level				
		L0	L255	L511	L767	L1023
Start gray level	L0					
	L255					
	L511					
	L767					
	L1023					

■ T_{GTG_typ} is the total average time at rising time and falling time of gray to gray.

Note 2-7: Crosstalk measurement

Definition:

$$CT = \text{Max.} (CT_H, CT_V);$$

Where

a. Maximum Horizontal Crosstalk:

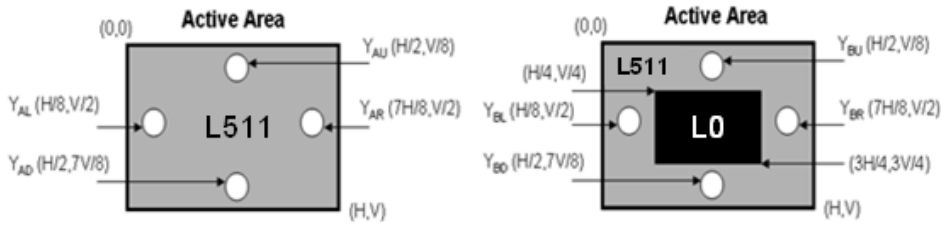
$$CT_H = \text{Max.} (| Y_{BL} - Y_{AL} | / Y_{AL} \times 100 \%, | Y_{BR} - Y_{AR} | / Y_{AR} \times 100 \%);$$

Maximum Vertical Crosstalk:

$$CT_V = \text{Max.} (| Y_{BU} - Y_{AU} | / Y_{AU} \times 100 \%, | Y_{BD} - Y_{AD} | / Y_{AD} \times 100 \%);$$

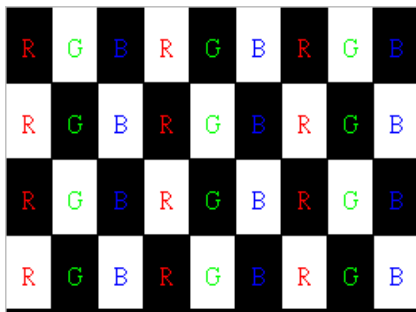
b. $Y_{AU}, Y_{AD}, Y_{AL}, Y_{AR}$ = Luminance of measured location without Black pattern

$Y_{BU}, Y_{BD}, Y_{BL}, Y_{BR}$ = Luminance of measured location with Black pattern



Note 2-8: Flicker measurement

a. Test pattern: It is listed as following.



Gray level = L0



Gray level = L511

R: Red, G: Green, B:Blue

b. Measured position: Center of screen (P5) & perpendicular to the screen ($\theta = \Phi = 0^\circ$)

2.4 Mechanical Characteristics

Symbol	Description	Min.	Max.	Unit	Remark
P _{bc}	Backside Compression	2.5	-	[Kgf]	Note 2-9

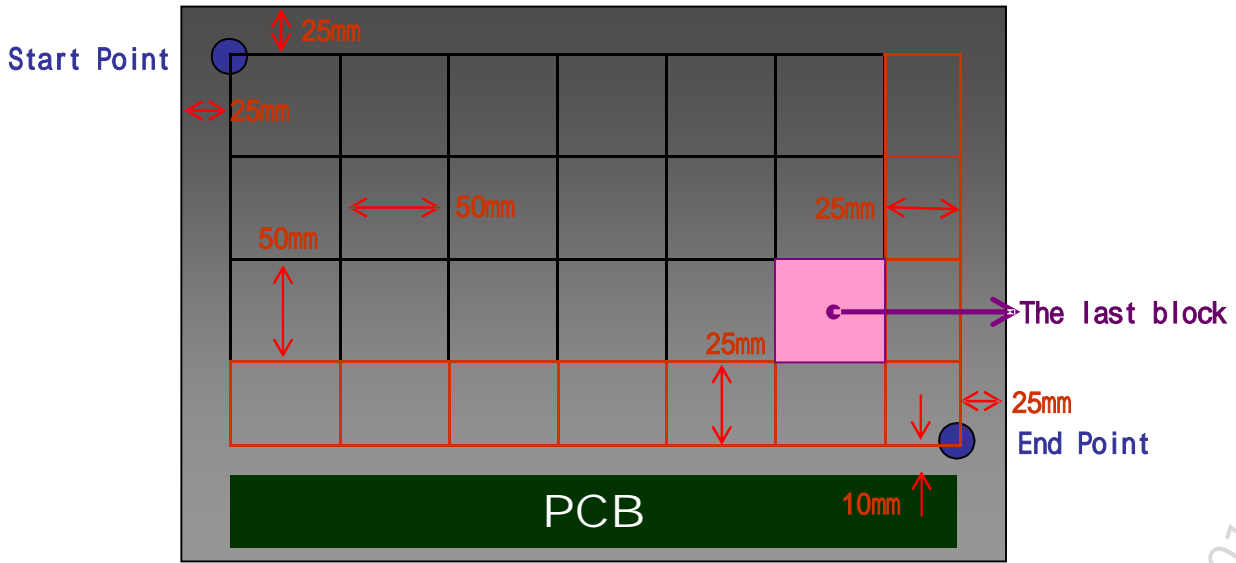
Note 2-9: a. Test Method:

The point is at a distance from right-downside 25mm x 25mm defined as the Start Point of Measure Points, and the point is at a distance 25mm from left-side & around 10mm from PCB defined as the End Point.

Align 50mm x 50mm block from Start Point on the Bezel Back, and the corners of each block are Measure Points.

If the distance from the last block to each side of the End Point 25mm, add other blocks to make sure that most area of Bezel Back can be measured.

b. Test pattern: It is listed as following.

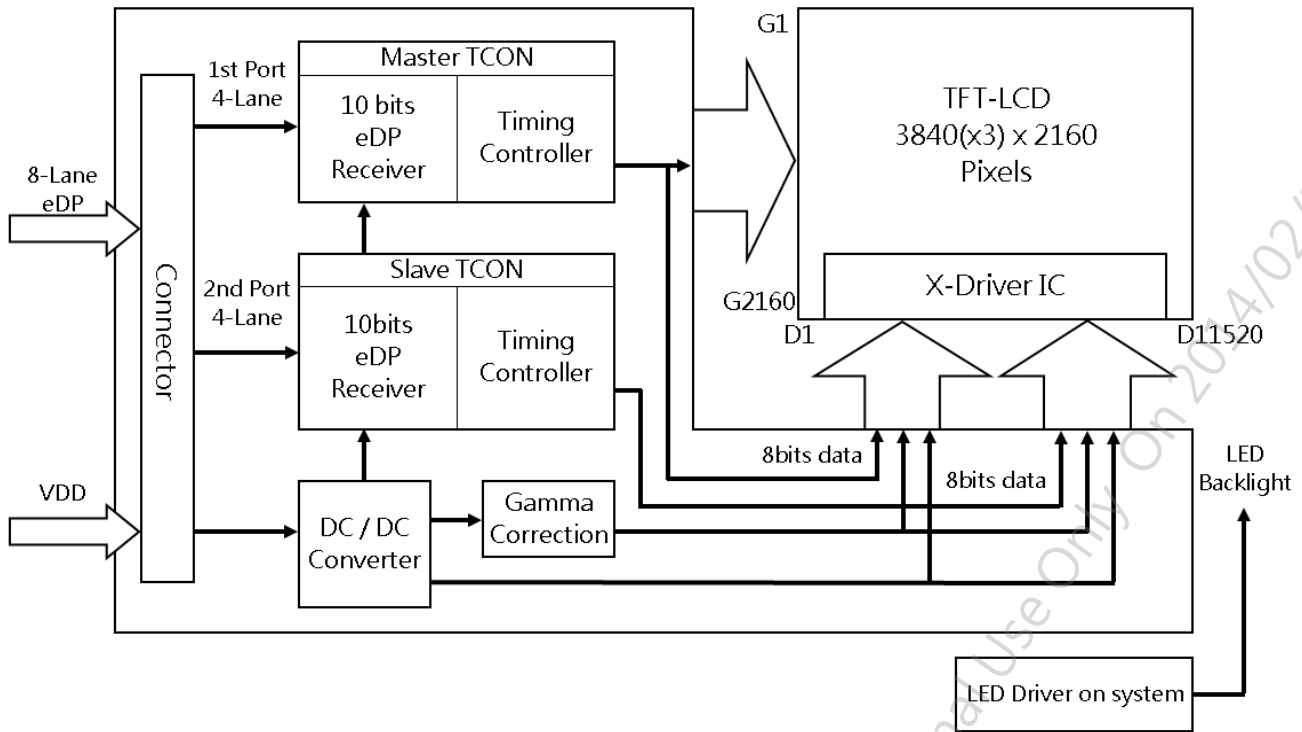


AUO Confidential For PROMATE Internal Use Only On 2014/02/10

3 TFT-LCD Module

3.1 Block Diagram

The following shows the block diagram of the 32.0 inch Color TFT-LCD Module.



3.2 Interface Connection

3.2.1 Connector Type

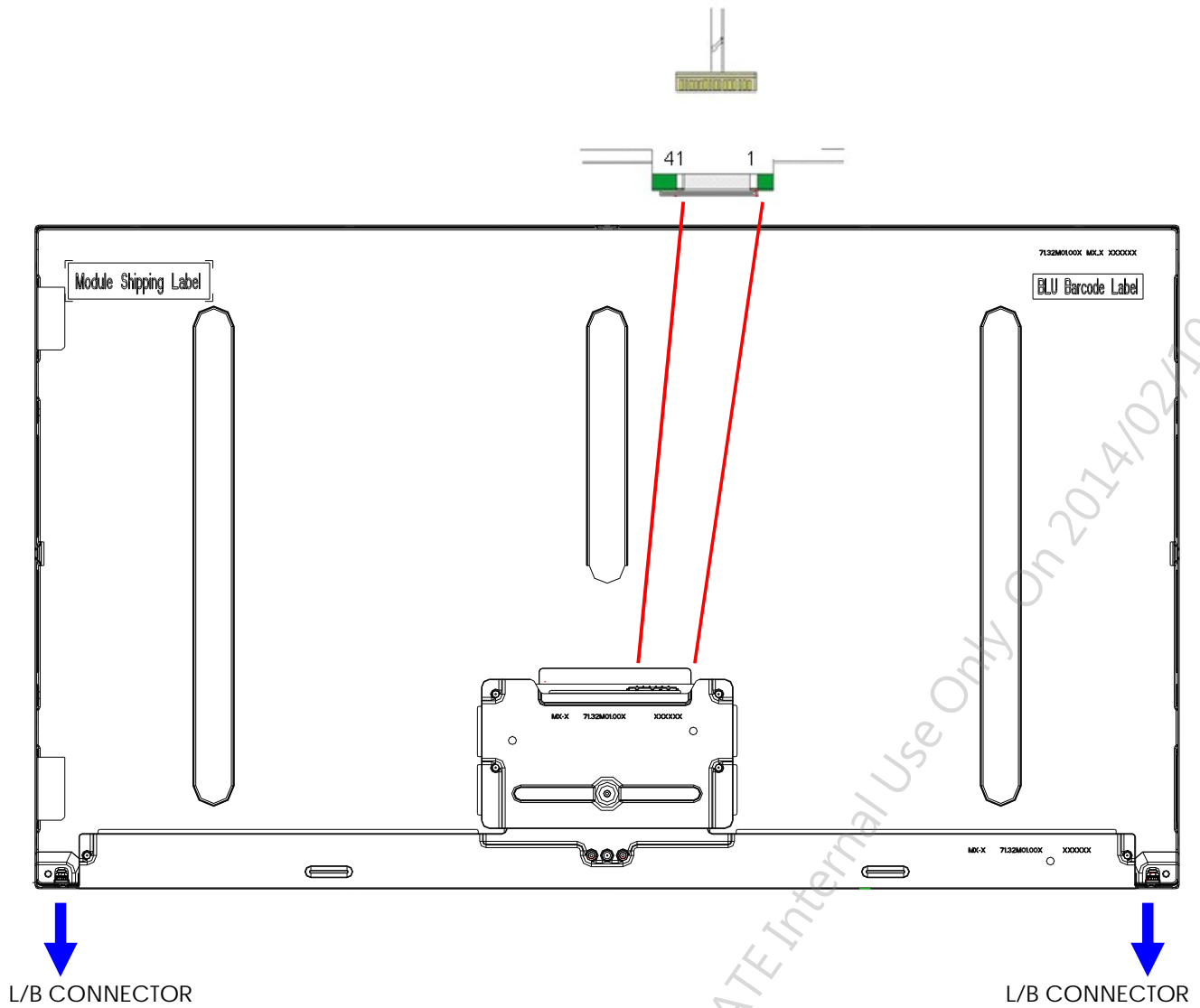
TFT-LCD Connector	Manufacturer	P-TWO	JAE
	Part Number	187060-4122	FI-RE41S-HF
Mating Connector	Manufacturer	JAE or compatible	
	Part Number	FI-RE41CL	

3.2.2 Connector Pin Assignment

PIN #	Symbol	Description	Remark
1	1st Lane3_N	Negative eDP differential data input	
2	1st Lane3_P	Positive eDP differential data input	
3	GND	Ground	
4	1st Lane2_N	Negative eDP differential data input	
5	1st Lane2_P	Positive eDP differential data input	
6	GND	Ground	
7	1st Lane1_N	Negative eDP differential data input	
8	1st Lane1_P	Positive eDP differential data input	
9	GND	Ground	
10	1st Lane0_N	Negative eDP differential data input	
11	1st Lane0_P	Positive eDP differential data input	
12	GND	Ground	
13	1st AUX_CH_P	Positive AUX Channel differential data input	
14	1st AUX_CH_N	Negative AUX Channel differential data input	
15	1st HPD	Hot plug detection	
16	2nd Lane3_N	Negative eDP differential data input	
17	2nd Lane3_P	Positive eDP differential data input	
18	GND	Ground	
19	2nd Lane2_N	Negative eDP differential data input	
20	2nd Lane2_P	Positive eDP differential data input	



21	GND	Ground	
22	2nd Lane1_N	Negative eDP differential data input	
23	2nd Lane1_P	Positive eDP differential data input	
24	GND	Ground	
25	2nd Lane0_N	Negative eDP differential data input	
26	2nd Lane0_P	Positive eDP differential data input	
27	GND	Ground	
28	2nd AUX_CH_P	Positive AUX Channel differential data input	
29	2nd AUX_CH_N	Negative AUX Channel differential data input	
30	2nd HPD	Hot plug detection	
31	NC	No connection (for AUO test only. Do not connect)	
32	NC	No connection (for AUO test only. Do not connect)	
33	NC	No connection (for AUO test only. Do not connect)	
34	NC	No connection (for AUO test only. Do not connect)	
35	GND	Ground	
36	GND	Ground	
37	GND	Ground	
38	NC	No connection	
39	VDD	Power +12V	
40	VDD	Power +12V	
41	VDD	Power +12V	



Note 3-1: Input signals of port 1 to port 4 clocks shall be the same timing.

3.3 Electrical Characteristics

3.3.1 Absolute Maximum Rating

Permanent damage may occur if exceeding the following maximum rating.

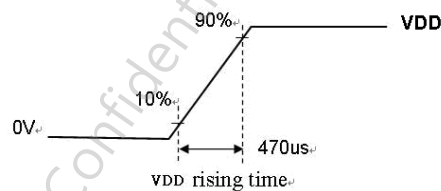
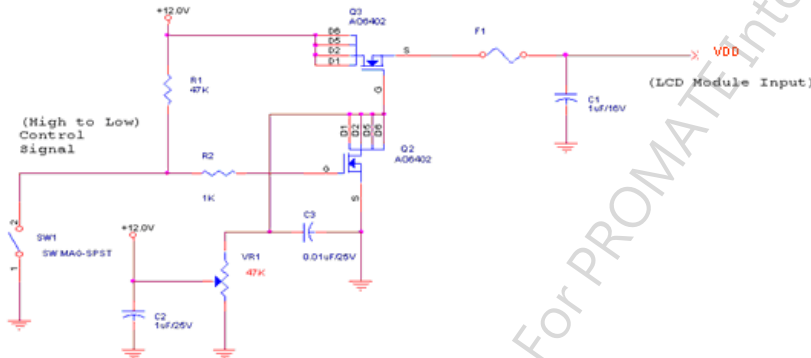
Symbol	Description	Min	Max	Unit	Remark
VDD	Power Supply Input Voltage	GND-0.3	14	[Volt]	Ta=25

3.3.2 Recommended Operating Condition

Symbol	Description	Min	Typ	Max	Unit	Remark
VDD	Power supply Input voltage	10.8	12.0	13.2	[Volt]	
IDD	Power supply Input Current (RMS)	-	0.9	1.1	[A]	VDD= 12.0V, White pattern, Fv=60Hz
PDD	VDD Power Consumption	-	10.8	13.2	[Watt]	VDD= 12.0V , White pattern, Fv=60Hz
IRush	Inrush Current	-	-	3	[A]	Note 3-2
VDDrp	Allowable VDD Ripple Voltage	-	-	VDD*5%	[mV]	VDD= 12.0V, White pattern, Fv=60Hz

Note 3-2: Inrush Current measurement:

Test circuit:

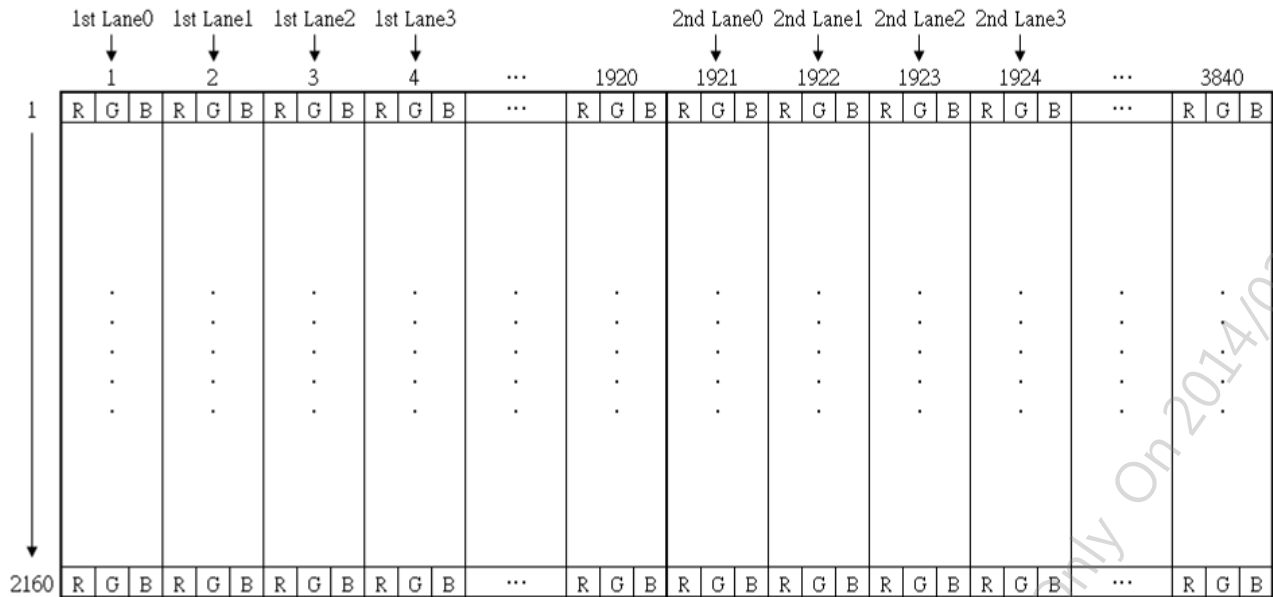


The duration of VDD rising time: 470us.

3.4 Signal Characteristics

3.4.1 LCD Pixel Format

Following figure shows the relationship between the input signals and LCD pixel format.



Note 3-3: The module use 8-Lanes eDP interface.

1st port:

1st Lane0 : 1+4n pixel

1st Lane1 : 2+4n pixel

1st Lane2 : 3+4n pixel

1st Lane3 : 4+4n pixel

2nd port:

2nd Lane0 : 1921+4n pixel

2nd Lane1 : 1922+4n pixel

2nd Lane2 : 1923+4n pixel

2nd Lane3 : 1924+4n pixel

n=0~479



3.4.2 eDP Data Format

1st Lane0	1st Lane1	1st Lane2	1st Lane3
R1-9:2	R2-9:2	R3-9:2	R4-9:2
R1-1:0IG1-9:4	R2-1:0IG2-9:4	R3-1:0IG3-9:4	R4-1:0IG4-9:4
G1-3:0IB1-9:6	G2-3:0IB2-9:6	G3-3:0IB3-9:6	G4-3:0IB4-9:6
B1-5:0IR5-9:8	B2-5:0IR6-9:8	B3-5:0IR7-9:8	B4-5:0IR8-9:8
R5-7:0	R6-7:0	R7-7:0	R8-7:0
G5-9:2	G6-9:2	G7-9:2	G8-9:2
G5-1:0IB5-9:4	G6-1:0IB6-9:4	G7-1:0IB7-9:4	G8-1:0IB8-9:4
B5-3:0IR9-9:6	B6-3:0IR10-9:6	B7-3:0IR11-9:6	B8-3:0IR12-9:6
R9-5:0IG9-9:8	R10-5:0IG10-9:8	R11-5:0IG11-9:8	R12-5:0IG12-9:8
G9-7:0	G10-7:0	G11-7:0	G12-7:0
B9-9:2	B10-9:2	B11-9:2	B12-9:2
B9-1:0IR13-9:4	B10-1:0IR14-9:4	B11-1:0IR15-9:4	B12-1:0IR16-9:4
R13-3:0IG13-9:6	R14-3:0IG14-9:6	R15-3:0IG15-9:6	R16-3:0IG16-9:6
G13-5:0IB13-9:8	G14-5:0IB14-9:8	G15-5:0IB15-9:8	G16-5:0IB16-9:8
B13-7:0	B14-7:0	B15-7:0	B16-7:0
.	.	.	.
.	.	.	.
.	.	.	.
.	.	.	.
.	.	.	.

2nd Lane0	2nd Lane1	2nd Lane2	2nd Lane3
R1921-9:2	R1922-9:2	R1923-9:2	R1924-9:2
R1921-1:0IG1921-9:4	R1922-1:0IG1922-9:4	R1923-1:0IG1923-9:4	R1924-1:0IG1924-9:4
G1921-3:0IB1921-9:6	G1922-3:0IB1922-9:6	G1923-3:0IB1923-9:6	G1924-3:0IB1924-9:6
B1921-5:0IR1925-9:8	B1922-5:0IR1926-9:8	B1923-5:0IR1927-9:8	B1924-5:0IR1928-9:8
R1925-7:0	R1926-7:0	R1927-7:0	R1928-7:0
G1925-9:2	G1926-9:2	G1927-9:2	G1928-9:2
G1925-1:0IB1925-9:4	G1926-1:0IB1926-9:4	G1927-1:0IB1927-9:4	G1928-1:0IB1928-9:4
B1925-3:0IR1929-9:6	B1926-3:0IR1930-9:6	B1927-3:0IR1931-9:6	B1928-3:0IR1932-9:6
R1929-5:0IG1929-9:8	R1930-5:0IG1930-9:8	R1931-5:0IG1931-9:8	R1932-5:0IG1932-9:8
G1929-7:0	G1930-7:0	G1931-7:0	G1932-7:0
B1929-9:2	B1930-9:2	B1931-9:2	B1932-9:2
B1929-1:0IR1933-9:4	B1930-1:0IR1934-9:4	B1931-1:0IR1935-9:4	B1932-1:0IR1936-9:4
R1933-3:0IG1933-9:6	R1934-3:0IG1934-9:6	R1935-3:0IG1935-9:6	R1936-3:0IG1936-9:6
G1933-5:0IB1933-9:8	G1934-5:0IB1934-9:8	G1935-5:0IB1935-9:8	G1936-5:0IB1936-9:8
B1933-7:0	B1934-7:0	B1935-7:0	B1936-7:0
.	.	.	.
.	.	.	.
.	.	.	.
.	.	.	.
.	.	.	.

AUO Confidential For PROMATE Internal Use Only On 2014/02/10

3.4.3 Color versus Input Data

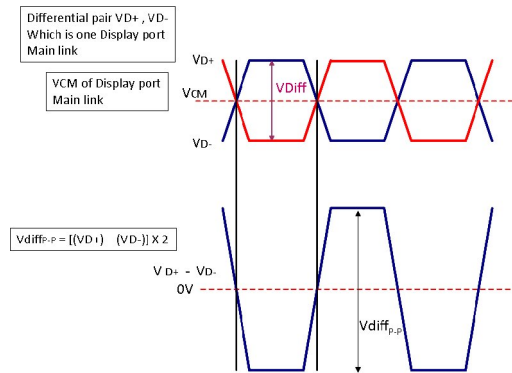
The following table is for color versus input data (10bit). The higher the gray level, the brighter the color.

Color	Gary Level	Color Input Data																												Remark		
		RED data (MSB:R9,LSB:R0)										GREEN data (MSB:G9,LSB:G0)										BLUE data (MSB:B9,LSB:B0)										
		R9	R8	R7	R6	R5	R4	R3	R2	R1	R0	G9	G8	G7	G6	G5	G4	G3	G2	G1	G0	B9	B8	B7	B6	B5	B4	B3	B2		B1	B0
Black	-	0	0	0	0	0	0	0	0	0	0	0	0	0	0	0	0	0	0	0	0	0	0	0	0	0	0	0	0	0	0	
White	-	1	1	1	1	1	1	1	1	1	1	1	1	1	1	1	1	1	1	1	1	1	1	1	1	1	1	1	1	1	1	
L511	-	0	1	1	1	1	1	1	1	1	1	0	1	1	1	1	1	1	1	1	0	1	1	1	1	1	1	1	1	1		
Red	L0	0	0	0	0	0	0	0	0	0	0	0	0	0	0	0	0	0	0	0	0	0	0	0	0	0	0	0	0	0	Black	
	:	:	:	:	:	:	:	:	:	:	:	:	:	:	:	:	:	:	:	:	:	:	:	:	:	:	:	:	:	:	:	
	L1023	1	1	1	1	1	1	1	1	1	1	0	0	0	0	0	0	0	0	0	0	0	0	0	0	0	0	0	0	0		
Green	L0	0	0	0	0	0	0	0	0	0	0	0	0	0	0	0	0	0	0	0	0	0	0	0	0	0	0	0	0	0	Black	
	:	:	:	:	:	:	:	:	:	:	:	:	:	:	:	:	:	:	:	:	:	:	:	:	:	:	:	:	:	:		
	L1023	0	0	0	0	0	0	0	0	0	0	1	1	1	1	1	1	1	1	1	1	0	0	0	0	0	0	0	0	0		
Blue	L0	0	0	0	0	0	0	0	0	0	0	0	0	0	0	0	0	0	0	0	0	0	0	0	0	0	0	0	0	0	Black	
	:	:	:	:	:	:	:	:	:	:	:	:	:	:	:	:	:	:	:	:	:	:	:	:	:	:	:	:	:	:		
	L1023	0	0	0	0	0	0	0	0	0	0	0	0	0	0	0	0	0	0	0	0	1	1	1	1	1	1	1	1	1		

3.4.4 eDP Specification (Follow as VESA DisplayPort Standard Version 1.2)

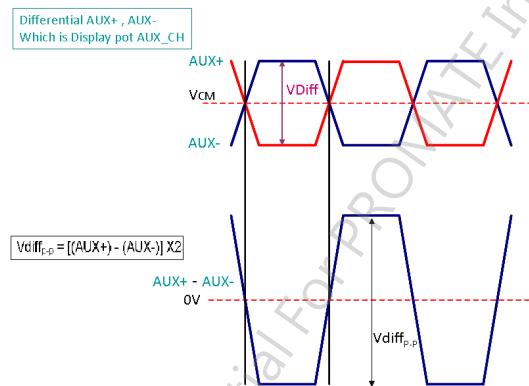
a. DisplayPort main link signal:

DisplayPort main link					
		Min	Typ	Max	unit
VCM	RX input DC Common Mode Voltage	-	0	-	V
VDiff _{P-P}	Peak-to-peak Voltage at a receiving Device	120	-	-	mV



b. DisplayPort AUX_CH signal:

DisplayPort AUX_CH					
		Min	Typ	Max	unit
VCM	AUX DC Common Mode Voltage		0.5		V
VDiff _{P-P}	AUX Peak-to-peak voltage at a receiving device	0.32	0.6	1.32	V



c. DisplayPort VHPD signal:

DisplayPort VHPD					
		Min	Typ	Max	unit
VHPD	HPD Voltage	2.25	-	3.6	V

3.4.5 Input Timing Specification

The input timing is shown as the following table.

Symbol	Description		Min.	Typ.	Max.	Unit	Remark
Tv	Vertical Section	Period	2180	2200	2372	Th	
Tdisp (v)		Active	2160	2160	2160	Th	
Tblk (v)		Blanking	20	40	212	Th	
Fv		Frequency	59	60	61	Hz	
Th	Horizontal Section	Period	2000	2100	2176	Tclk	
Tdisp (h)		Active	1920	1920	1920	Tclk	
Tblk (h)		Blanking	80	180	256	Tclk	
Tclk	Pixel Clock	Period	3.89	3.61	3.57	ns	1/Fclk
Fclk		Frequency	257.24	277.20	280.00	MHz	Note 3-4
Link Rate per Lane			2.7			Gbps	

Note 3-4: The equation is listed as following. Please don't exceed the above recommended value.

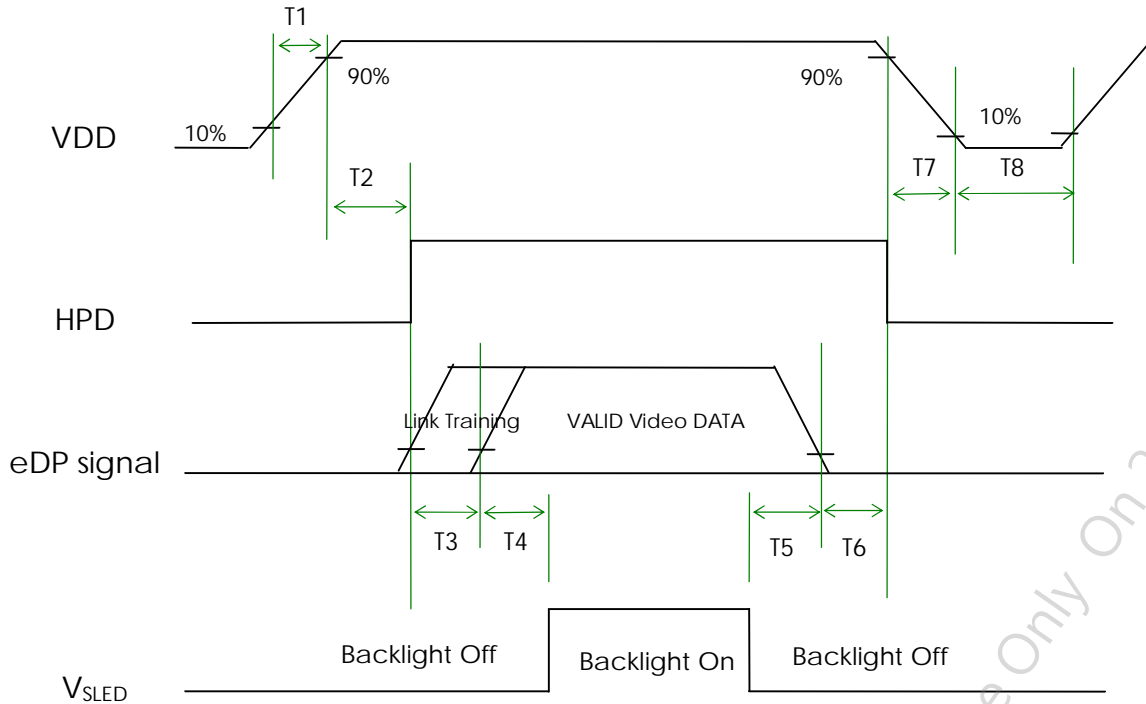
$$Fclk (Min.) = Fv (Min.) \times Th (Min.) \times Tv (Min.)$$

$$Fclk (Typ.) = Fv (Typ.) \times Th (Typ.) \times Tv (Typ.)$$

$$Fv \times Th \times Tv = Fclk (Max.)$$

3.5 Power ON/OFF Sequence

VDD power, eDP signal and backlight on/off sequence are as following. eDP signals from any system shall be Hi-Z state when VDD is off.



Power Sequence Timing

Symbol	Value			Unit	Remark
	Min.	Typ.	Max.		
T1	0.5	-	10	[ms]	
T2	100	-	-	[ms]	
T3	0	-	-	[ms]	Note 3-5
T4	500	-	-	[ms]	
T5	100	-	-	[ms]	
T6	0	-	50	[ms]	Note 3-6 Note 3-7
T7	0	-	150	[ms]	Note 3-7
T8	1000	-	-	[ms]	

Note 3-5: During T3 period, eDP link training time by customer's system.

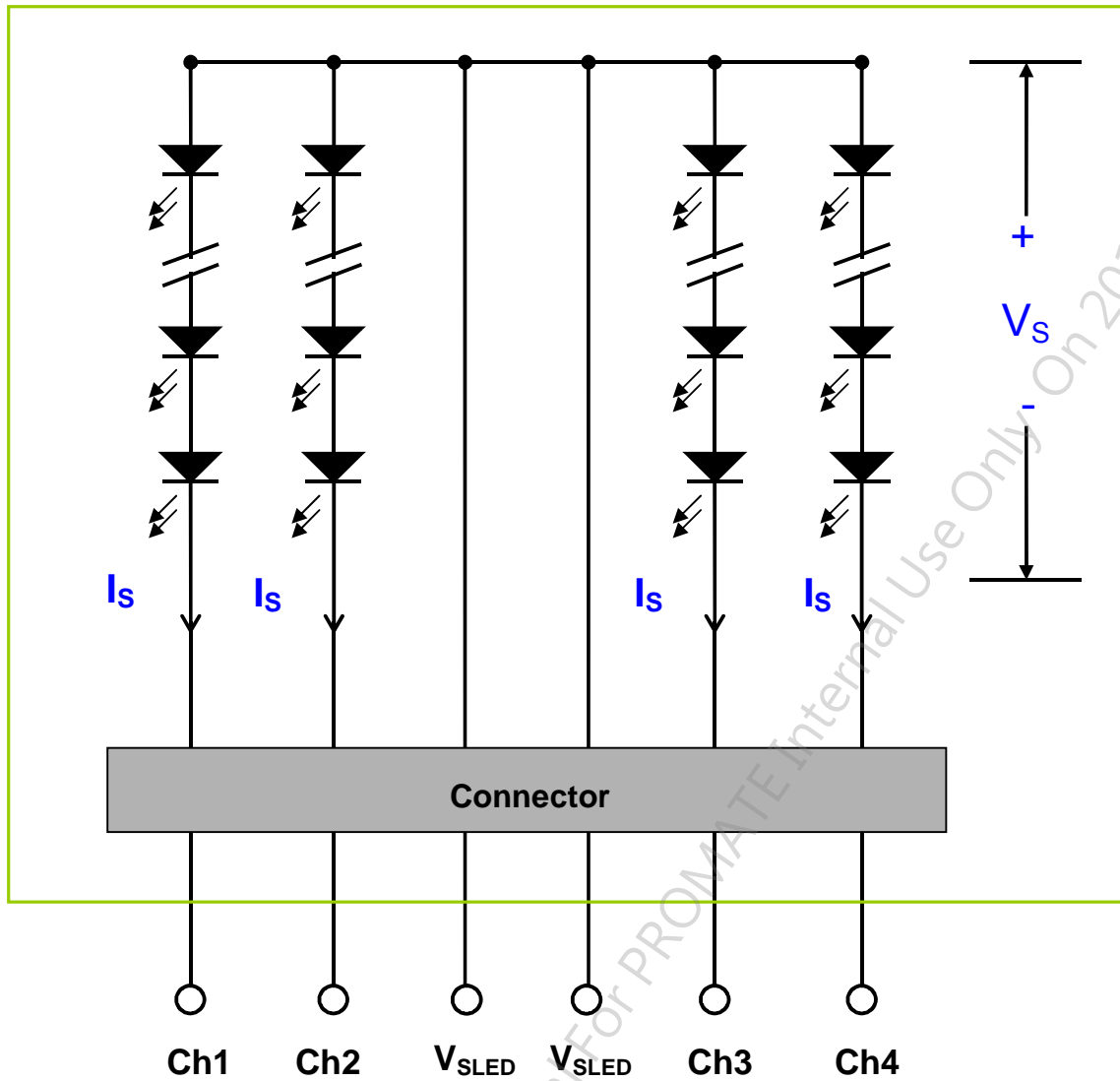
Note 3-6: Recommend setting T6 = 0ms to avoid electronic noise when VDD is off.

Note 3-7: During T6 and T7 period, please keep the level of input eDP signals with Hi-Z state.

4 Backlight Unit

4.1 Block Diagram

The following shows the block diagram of the 32.0 inch Backlight Unit. And it includes 2 pcs LED light bar in Backlight Unit. Each LED light bar includes 52 pcs LED package. (4 strings and 13 pcs LED of one string).



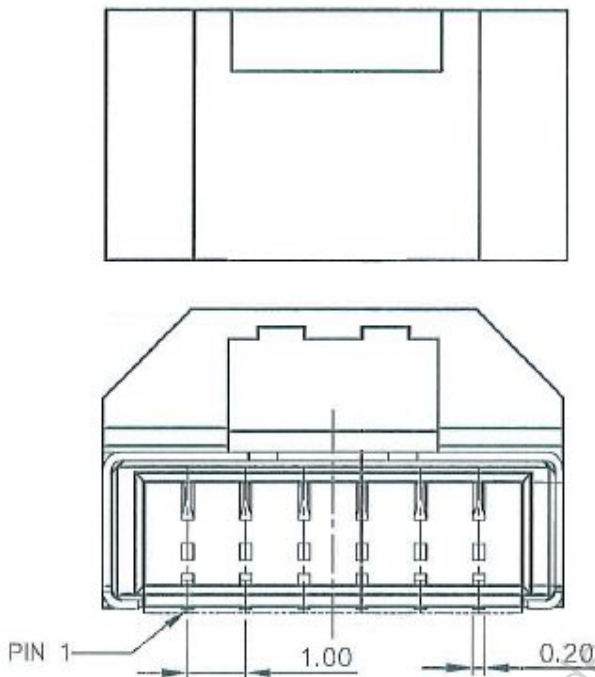
4.2 Interface Connection

4.2.1 Connector Type

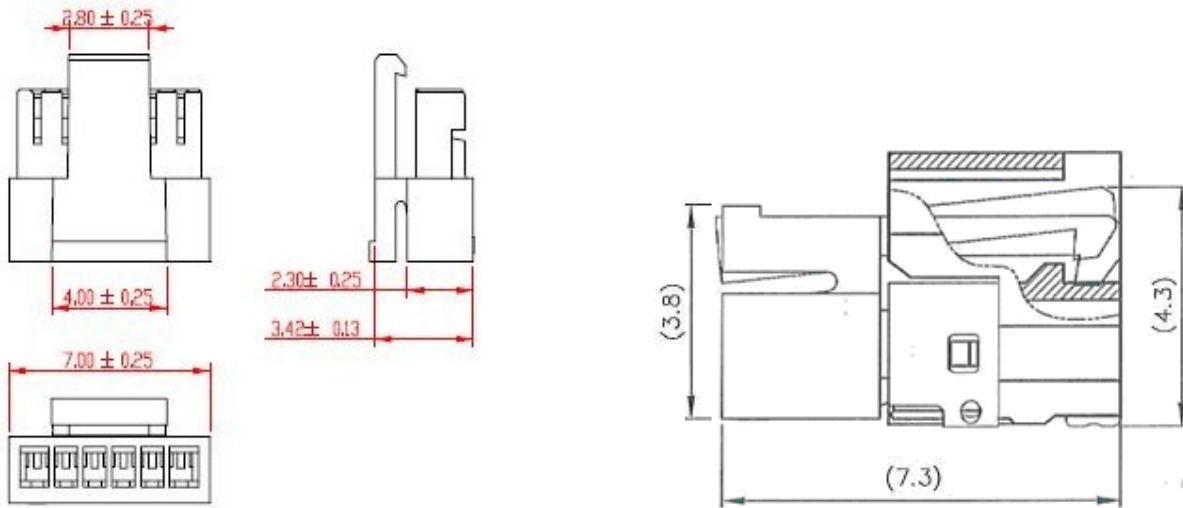
Backlight Connector	Manufacturer	ENTERY
	Part Number	3707K-S06N-07L
Mating Connector	Manufacturer	ENTERY
	Part Number	H112K-P06N-00B (Non-Locking type) H112K-P06N-11B(White) (Locking type) H112K-P06N-13B(Black) (Locking type)

Backlight Connector dimension:

$H \times V \times D = 13.9 \times 3.00 \times 4.25$, Pitch = 1.0(unit = mm)



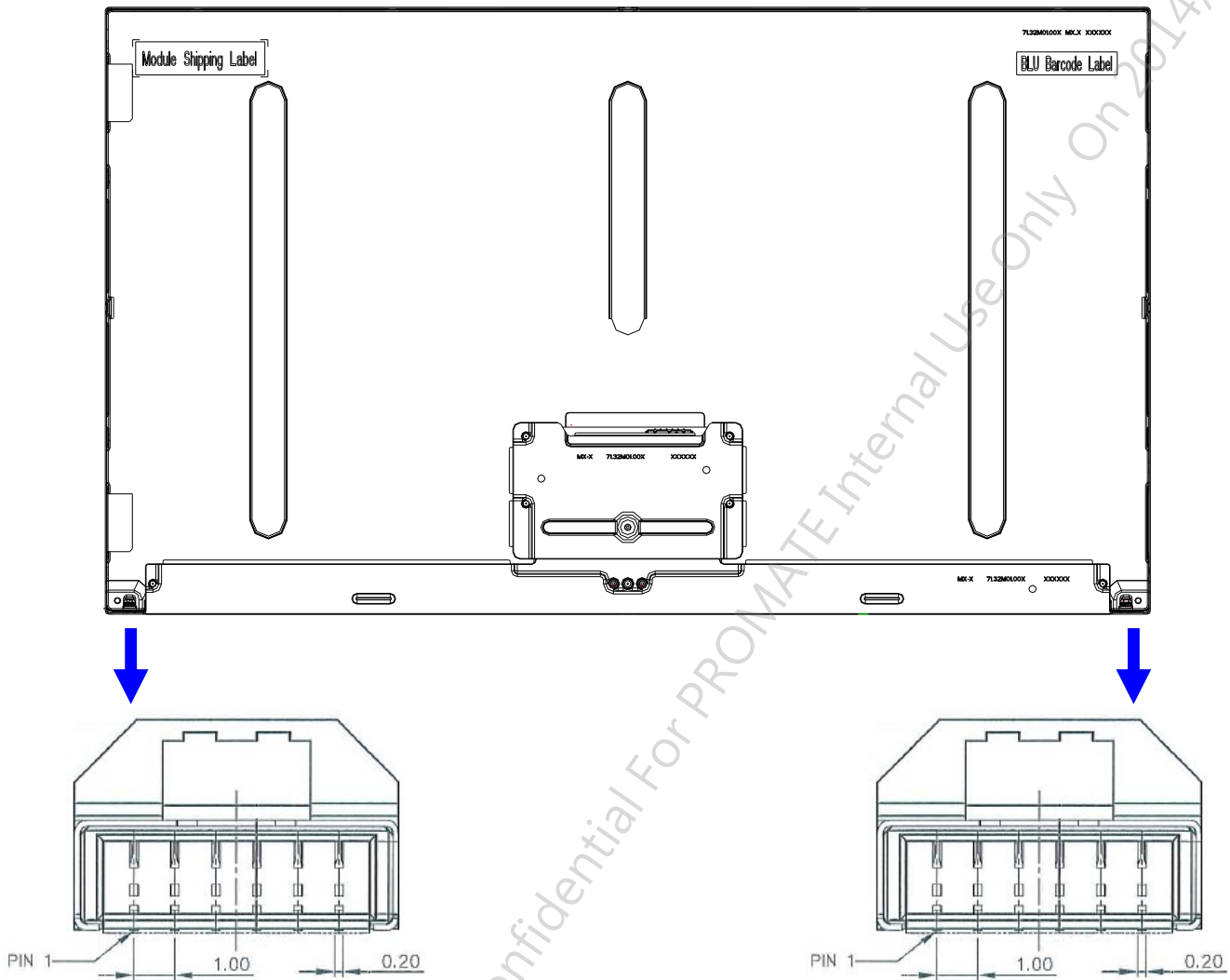
Mating Connector dimension:



AUO Confidential For PROMATE Internal Use Only On 2014/02/10

4.2.2 Connector Pin Assignment

Pin#	Symbol	Description	Remark
1	Ch1	LED Current Feedback Terminal (Channel 1)	
2	Ch2	LED Current Feedback Terminal (Channel 2)	
3	V _{SLED}	LED Power Supply Voltage Input Terminal	
4	V _{SLED}	LED Power Supply Voltage Input Terminal	
5	Ch3	LED Current Feedback Terminal (Channel 3)	
6	Ch4	LED Current Feedback Terminal (Channel 4)	



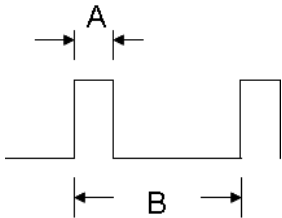
4.3 Electrical Characteristics

4.3.1 Absolute Maximum Rating

Permanent damage may occur if exceeding the following maximum rating.

(Ta=25 °C)

Symbol	Description	Min	Max	Unit	Remark
Is	LED String Current	0	150	[mA]	100% duty ratio
			300	[mA]	Duty ratio 10% Pulse time=10 ms



Duty ratio= (A / B) X 100% ; (A: Pulse time, B: Period)

4.3.2 Recommended Operating Condition

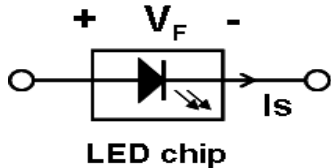
(Ta=25 °C)

Symbol	Description	Min.	Typ.	Max.	Unit	Remark
Is	LED String Current	-	120	132	[mA]	100% duty ratio of LED chip
Vs	LED String Voltage	39	42.9	46.8	[Volt]	Is=120mA @ 100% duty ratio; Note 4-1& Note 4-5
ΔVs	Maximum Vs Voltage Deviation of light bar	-	-	2.6	[Volt]	Is=120mA @ 100% duty ratio; Note 4-2
P _{BLU}	LED Light Bar Power Consumption	-	41.2	44.9	[Watt]	Note 4-3
LT _{LED}	LED Life Time	30,000	-	-	[Hour]	Note 4-4
OVP	Over Voltage Protection in system board	110% Vs (max)	-	-	[Volt]	Note 4-5

Note 4-1: V_s (Typ.) = V_F (Typ.) X LED No. (one string);

a. V_F : LED chip forward voltage, V_F (Min.)=3.0V, V_F (Typ.)=3.3V, V_F (Max.)=3.6V

b. The same equation to calculate V_s (Min.) & V_s (Max.) for respective V_F (Min.) & V_F (Max.);



Note 4-2: ΔV_s (Max.) = ΔV_F X LED No. (one string);

a. ΔV_F : LED chip forward voltage deviation (0.2V , each Bin of LED V_F)

Note 4-3: P_{BLU} (Typ.) = V_s (Typ.) X I_s (Typ.) X 8 (8 is total String No. of BLU)

P_{BLU} (Max.) = V_s (Max.) X I_s (Typ.) X 8

Note 4-4: Definition of life time:

a. Brightness of LED becomes to 50% of its original value

b. Test condition: I_s = 120mA and 25 (Room Temperature)

Note 4-5: Recommendation for LED driver power design:

Due to there are electrical property deviation in LED & monitor set system component after long time operation. AUO strongly recommend the design value of LED driver board OVP (over voltage protection) should be 10% higher than max. value of LED string voltage (V_s) at least.

Note 4-6: AUO strongly recommend "Analog Dimming" method for backlight brightness control for Wavy Noise Free. Otherwise, recommend that Dimming Control Signal (PWM Signal) should be synchronized with Frame Frequency

5 Reliability Test

AUO reliability test items are listed as following table. (Bare Panel only)



Items	Condition	Remark
Temperature Humidity Bias (THB)	Ta= 50 , 80%RH, 300hours	
High Temperature Operation (HTO)	Ta= 50 , 50%RH, 300hours	
Low Temperature Operation (LTO)	Ta= 0 , 300hours	
High Temperature Storage (HTS)	Ta= 60 , 300hours	
Low Temperature Storage (LTS)	Ta= -20 , 300hours	
Vibration Test (Non-operation)	Frequency:10~57Hz/Vibration width(one side):0.075mm : 58~500Hz/Acceleration:9.8 m/s ² Sweep time: 11minutes Test period: 3 hours(1h for each direction of X,Y,Z)	
Shock Test (Non-operation)	Acceleration: 50 G Wave: Half-sine Active Time: 20 ms Direction: ±X, ±Y, ±Z (one time for each Axis)	
Thermal Shock Test (TST)	-20 /30min, 60 /30min, 100 cycles	Note 5-1
On/Off Test	On/10sec, Off/10sec, 30,000 cycles	
ESD (Electro Static Discharge)	Contact Discharge: ± 15KV, 150pF(330Ω) 1sec, 8 points, 25 times/ point.	Note 5-2
	Air Discharge: ± 15KV, 150pF(330Ω) 1sec 8 points, 25 times/ point.	
Altitude Test	Operation:18,000 ft Non-Operation:40,000 ft	

Note 5-1: a. A cycle of rapid temperature change consists of varying the temperature from -20 to 60 , and back again. Power is not applied during the test.

b. After finish temperature cycling, the unit is placed in normal room ambient for at least 4 hours before power on.

Note 5-2: EN61000-4-2, ESD class B: Certain performance degradation allowed

- No data lost
- Self-recoverable
- No hardware failures.

6 Shipping Label

The label is on the panel as shown below:





Product Specification

M320QAN01.0

AU OPTRONICS CORPORATION

	Manufactured XX/XX Model No: M320QAN01.0 AU Optronics XXXXX MADE IN XXXXXX (XX)		
XXXXXXXXXXXX-XXXXX			
XXXXXXXXXXXXXXXXXXXX			

Note 6-1: For Pb Free products, AUO will add for identification.

Note 6-2: For RoHS compatible products, AUO will add for identification.

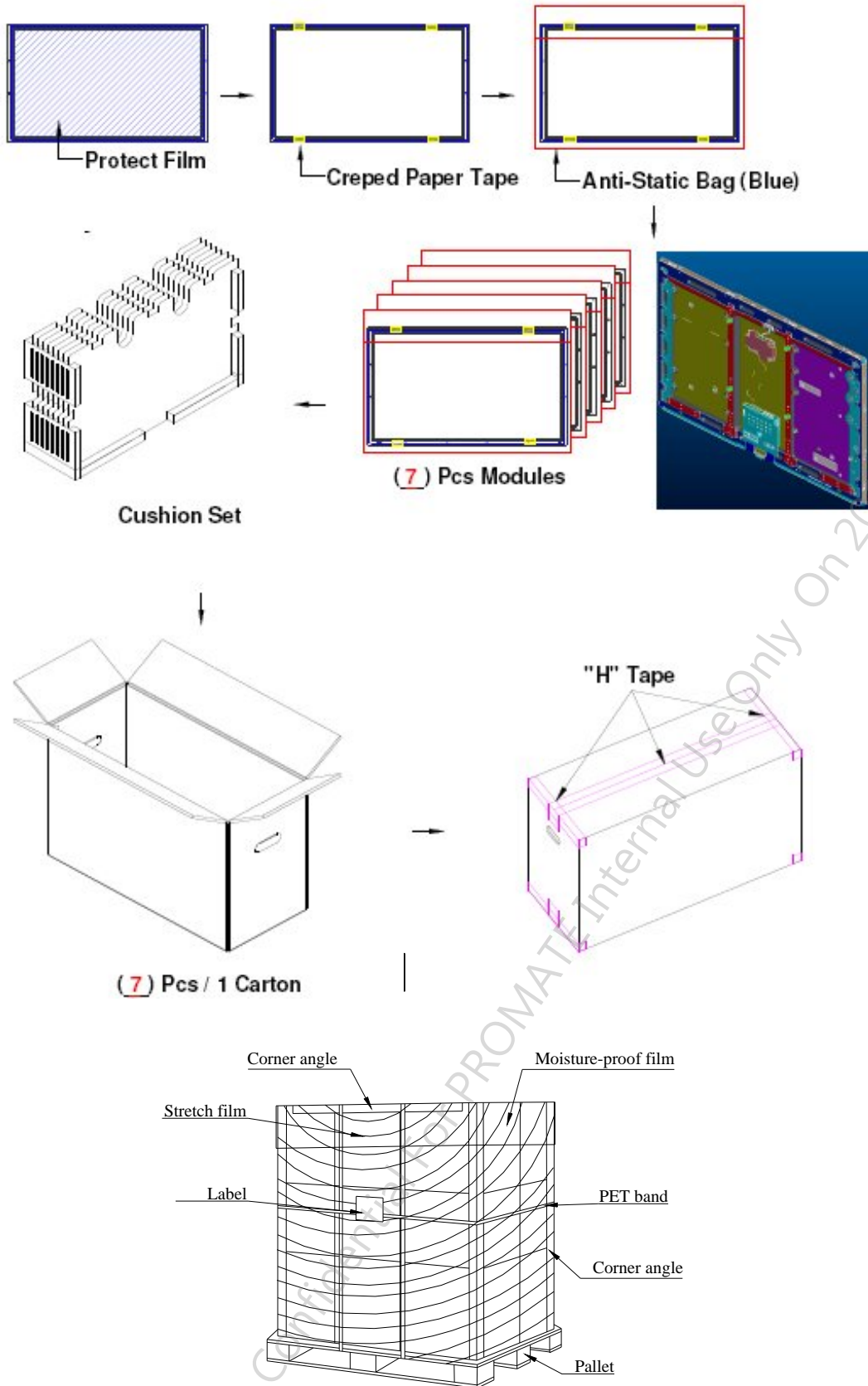
Note 6-3: For China RoHS compatible products, AUO will add for identification.

Note 6-4: The Green Mark will be presented only when the green documents have been ready by AUO Internal Green Team.

AUO Confidential For PROMATE Internal Use Only On 2014/02/10

8 Packing Specification

8.1 Packing Flow



Ver 0.1

8.2 Pallet and shipment information

Item	Specification			Remark
	Q'ty	Dimension	Weight(kg)	
Panel	1	727.88(H)mm x 422.07(V)mm x 15.1(D)mm	5.16	
Cushion	1	-	6.876	
Box	1	805(L)mm x 280(W)mm x 512(H)mm		without Panel & cushion
Packing Box	7 pcs/Box	805(L)mm x 280(W)mm x 512(H)mm	42.436	with panel & cushion
Pallet	1	1150(L)mm x 840(W)mm x 132(H)mm	13.8	
Pallet after Packing	8 boxes/pallet	1150(L)mm x 840(W)mm x 1156(H)mm	353.3	

AUO Confidential For PROMATE Internal Use Only On 2014/02/10